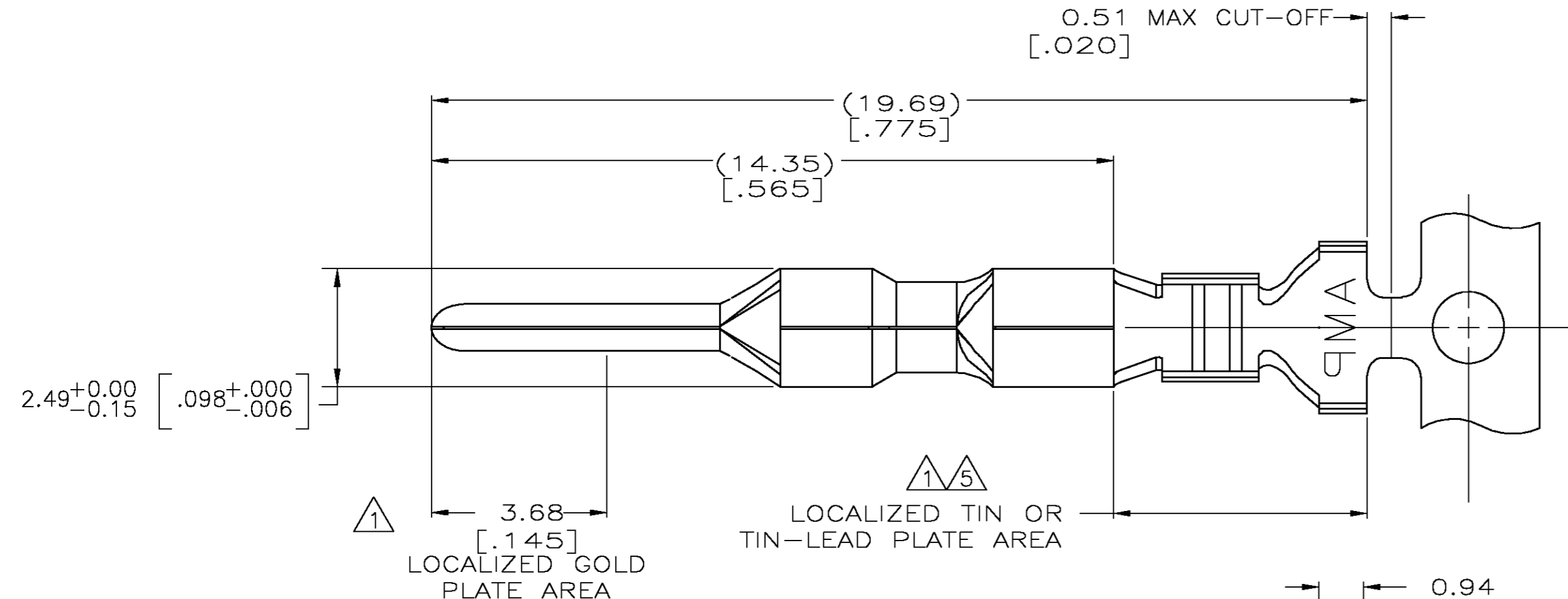
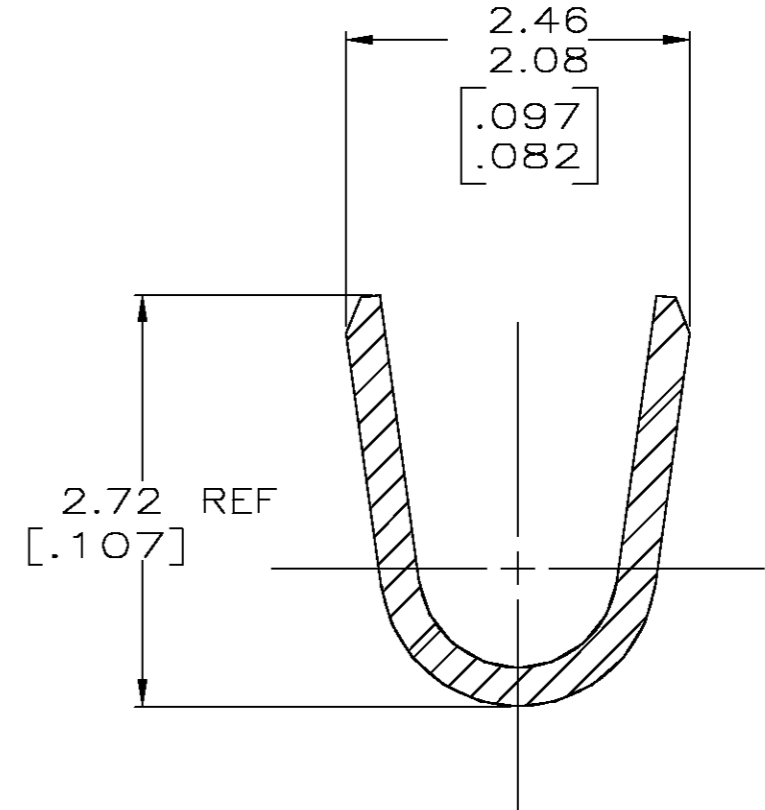
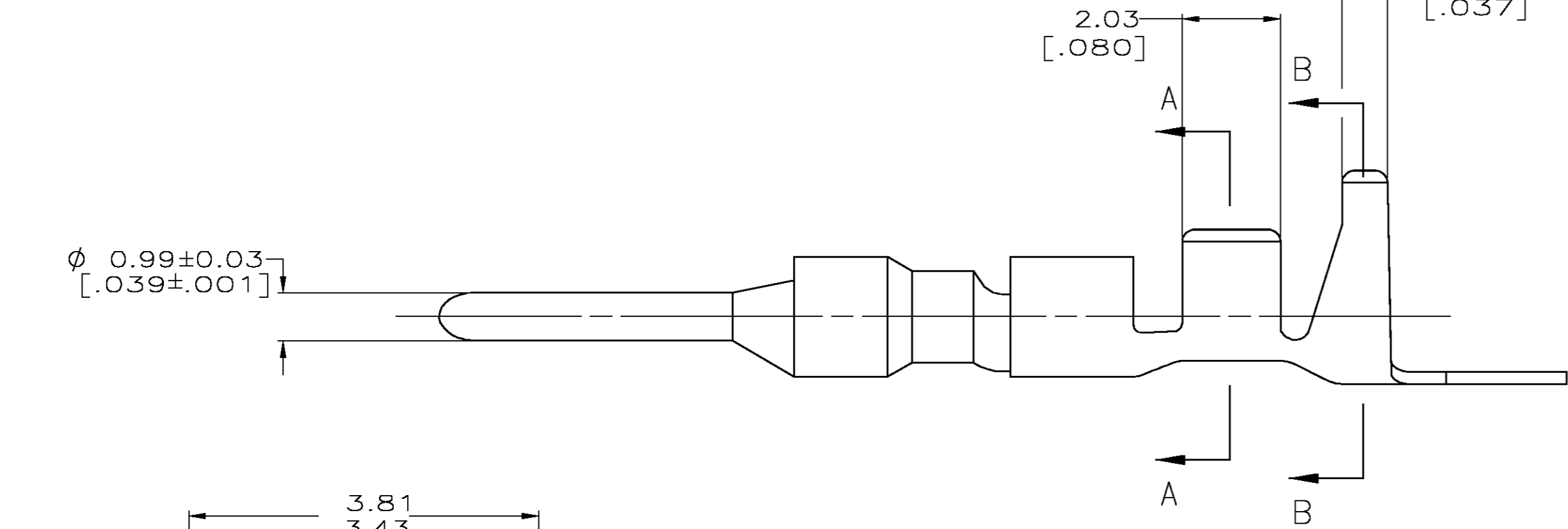


THIS DRAWING IS UNPUBLISHED. RELEASED FOR PUBLICATION
 © COPYRIGHT BY TYCO ELECTRONICS CORPORATION. ALL RIGHTS RESERVED.

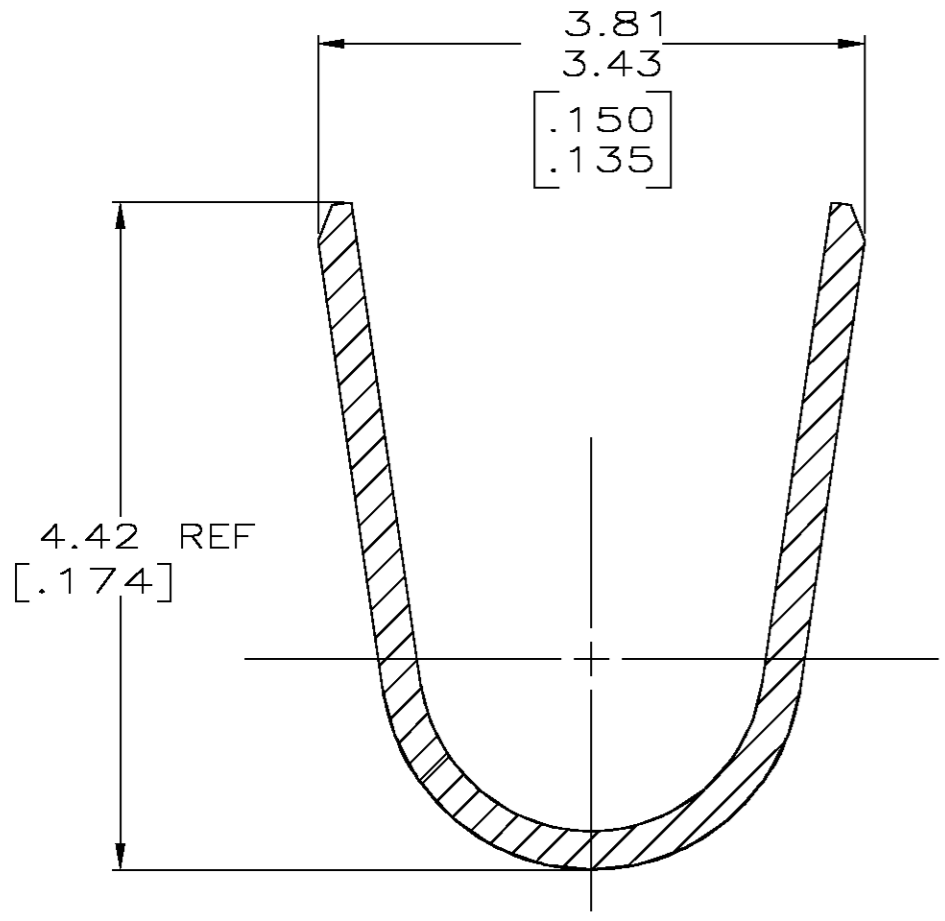
LOC		DIST		REVISIONS			
P	LTR	DESCRIPTION		DATE	DWN	APVD	
CM	00	F		REV PER ECN 0G3B-0514-03	11AUG03	SC	CJ



- 1. 0.00076 [.000030] MIN GOLD IN LOCALIZED GOLD PLATE AREA AND 0.00254 [.000100] MIN BRIGHT TIN-LEAD IN LOCALIZED TIN-LEAD PLATE AREA OVER 0.0013 [.000050] MIN NICKEL.
- 2. WIRE RANGE: 0.3 - 0.9MM² (22-18 AWG).
- 3. INSULATION RANGE: 1.50-2.39 [.059-.094] DIA.
- 4. DIMENSIONS IN BRACKETS ARE IN INCHES.
- 5. 0.00076 [.000030] MIN GOLD IN LOCALIZED GOLD PLATE AREA AND 0.00254 [.000100] MIN BRIGHT TIN IN LOCALIZED TIN PLATE AREA OVER 0.0013 [.000050] MIN NICKEL.



SECTION A-A
SCALE 20:1



SECTION B-B
SCALE 20:1

FINISH	MATERIAL	PART NUMBER
GOLD 5	0.25 [.010] BRASS	1-794220-0
GOLD 1	0.25 [.010] BRASS	794220-3
PRE-TIN	0.25 [.010] BRASS	794220-1

THIS DRAWING IS A CONTROLLED DOCUMENT.		DWN S. CARPENTER 11AUG2003	Tyco Electronics Corporation Harrisburg, PA 17105	
DIMENSIONS: INCHES	TOLERANCES UNLESS OTHERWISE SPECIFIED:	CHK C. JONES 11AUG2003	NAME PIN, MINI UNIVERSAL MATE-N-LOK 2	
	0 PLC ±	APVD C. JONES 11AUG2003	SIZE A2	CAGE CODE 00779
	1 PLC ±	PRODUCT SPEC	DRAWING NO C=794220	RESTRICTED TO -
MATERIAL SEE TABLE	FINISH SEE TABLE	APPLICATION SPEC	SCALE 10:1	SHEET 1 OF 1
CUSTOMER DRAWING		WEIGHT	REV F	

794220